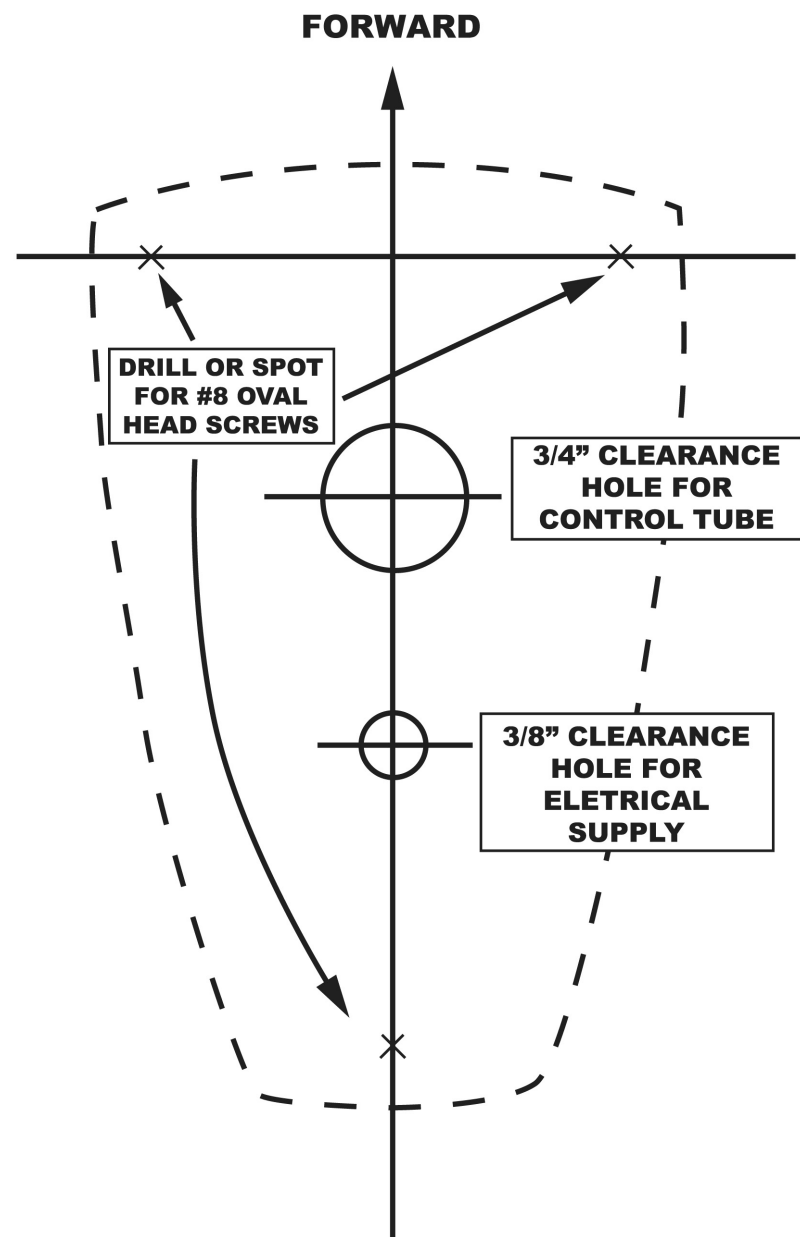


**PERKO CAT. NO. 0535#3 SEARCHLIGHT
INSTALLATION INSTRUCTIONS**

READ ALL DIRECTIONS BEFORE PROCEEDING

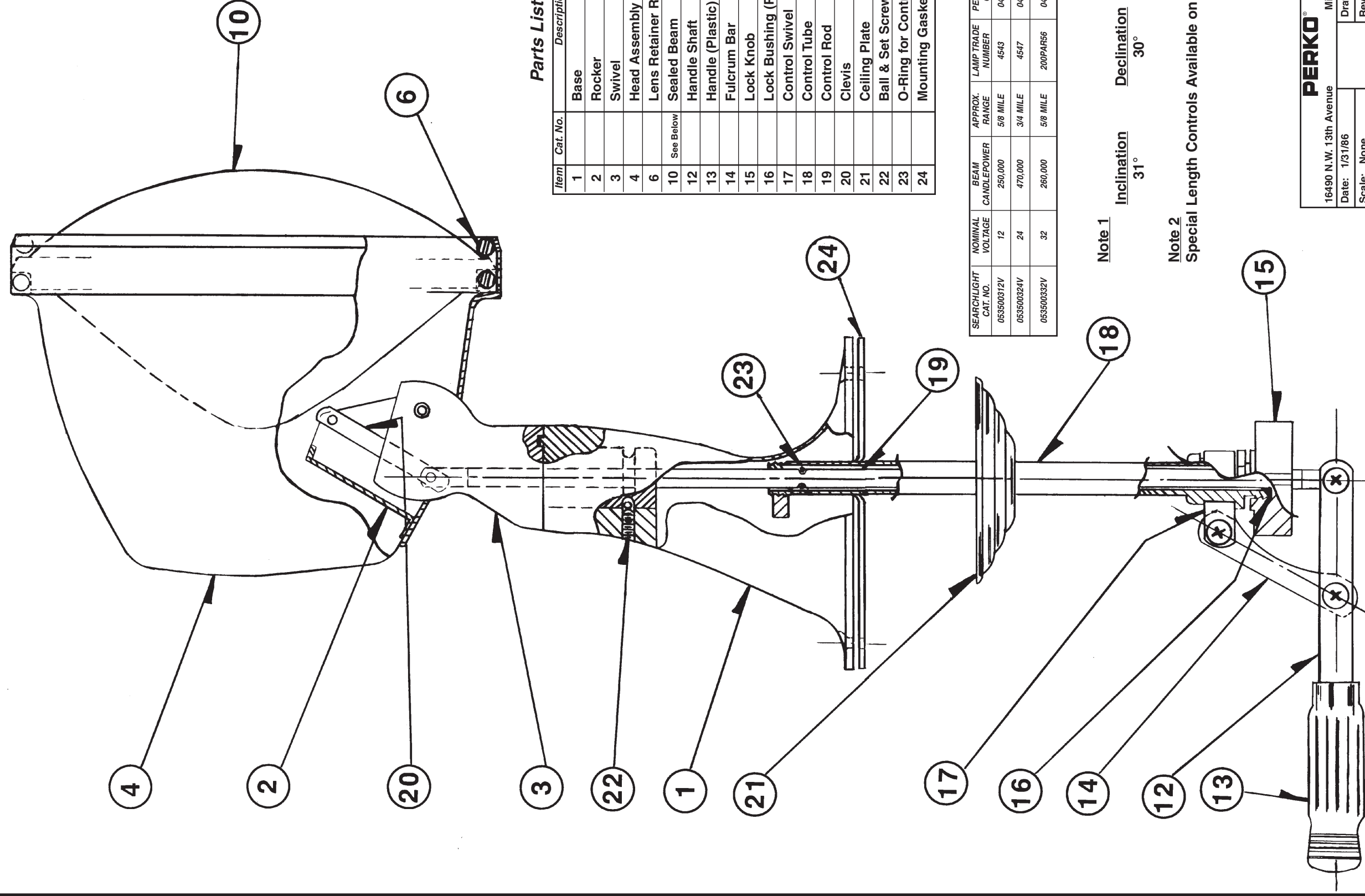


- 1). Examine mounting template and choose appropriate mounting location.
- 2). Remove the screw that connects the control handle to the control rod (lower of the two screws).
- 3). Unscrew the threaded outer tube assembly from the searchlight base (with handle and other parts still attached to the tube).
- 4). Note: Do not remove the control rod.
- 5). Use template to drill mounting, control, and wiring holes.
- 6). Install mounting gasket by sliding it up the control rod to the base, making sure that the electric wires feed through the two small holes in the gasket.
- 7). Mount light from above, lowering control rod through the deck.
- 8). Make electrical supply connections in accordance with A.B.Y.C.* Standard E-9* and U.S. Coast Guard Safety Standards for Boat Electrical Systems*.
- 9). Fasten to deck with #8 oval head screws.
- 10). Re-install outer tube assembly from below, making sure ceiling plate is still loose on control assembly.
- 11). Mount ceiling plate and reconnect handle.

* The above referenced standards can be obtained from:

(1) American Boat & Yacht Council, Inc.
613 Third Street, Suite 10
Annapolis, MD 21403

(2) U.S. Coast Guard
Washington, D.C. 20593
(or your local C.G. office)



Parts List

Item	Cat. No.	Description	Qty.
1		Base	1
2		Rocker	1
3		Swivel	1
4		Head Assembly	1
6		Lens Retainer Ring	1
10	See Below	Sealed Beam	1
12		Handle Shaft	1
13		Handle (Plastic)	1
14		Fulcrum Bar	1
15		Lock Knob	1
16		Lock Bushing (Plastic)	1
17		Control Swivel	1
18		Control Tube	1
19		Control Rod	1
20		Clevis	1
21		Ceiling Plate	1
22		Ball & Set Screw Set	1
23		O-Ring for Control Rod	1
24		Mounting Gasket	1

SEARCHLIGHT CAT. NO.	NOMINAL VOLTAGE	BEAM CANDLEPOWER	APPROX. RANGE	LAMP TRADE NUMBER	PERKO LAMP CAT. NO.	APPROX. AMPERAGE
05350032V	12	250,000	5/8 MILE	4543	04330032V	8-1/2 AMPS
053500324V	24	470,000	3/4 MILE	4547	043300324V	18 AMPS
053500332V	32	260,000	5/8 MILE	200PAR56	043300332V	6-1/2 AMPS

Note 1
Inclination 31°
Declination 30°

Note 2
 Special Length Controls Available on Special Order

PERKO
 16490 N. W. 13th Avenue
 Miami, FL 33169-5707
 Date: 1/31/86
 Scale: None

Drawn By: H. AHMED
 Revised: 12/1/08

CAT. NO. 0535003
 PILOT HOUSE CONTROL SEARCHLIGHT

